

Damp Location Stik Series

Modular Design – Various Length Options Available

BSE2



PRODUCT DESCRIPTION :

- ⊗ BriteCor Adaptive AC Direct – no DC power supply
- ⊗ 450,000 hours MTBF of continuous operation
- ⊗ Up to 131 lumens per Watt measured output
- ⊗ Easily mountable
- ⊗ Constant lifetime lumen output
- ⊗ Maintenance-free
- ⊗ Tested and approved to UL standards for retrofit, replacement or new construction
- ⊗ Tested and certified to operate in UL damp locations
- ⊗ Modular design for end-fed lights
- ⊗ SmartCor dimming optional



Damp Location Stik Series

BSE2

THE BRITCOR™ LIGHT ENGINE TECHNOLOGY

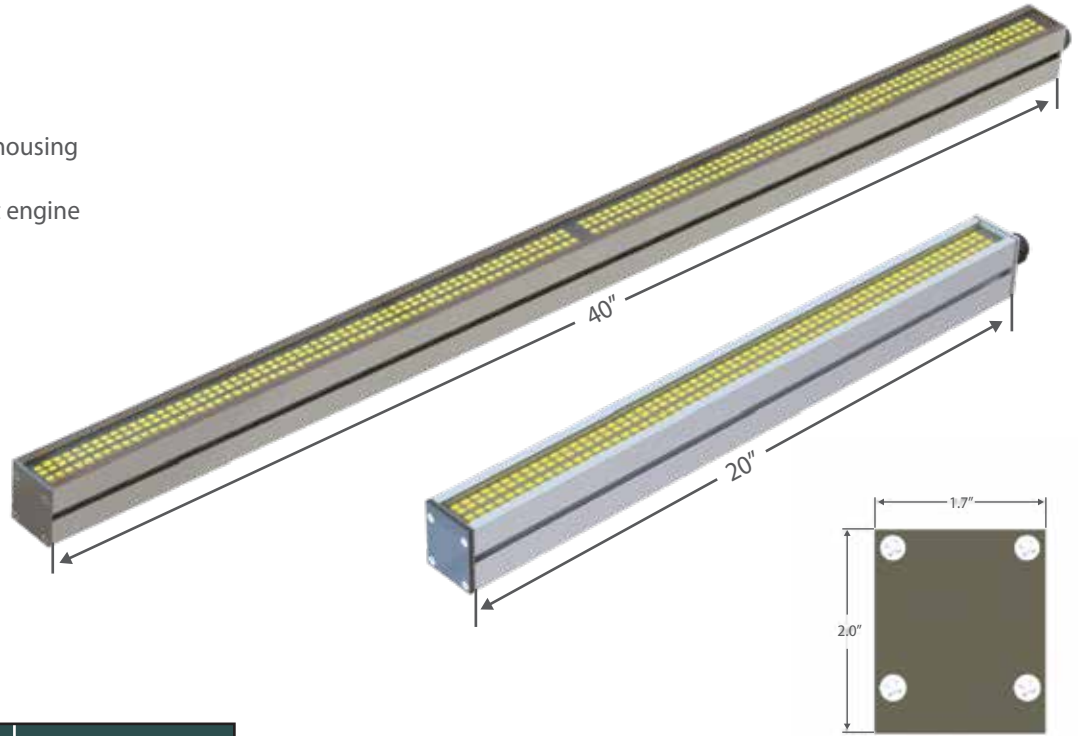
The BriteCor™ Light Engine is a patented Adaptive AC Direct LED Array Technology. Automatically adjusting the redundant LED mesh, BriteCor™ delivers a more efficient and reliable light without a DC power supply.

FEATURES :

- Fixture :** Durable aluminum extrusion housing
- Lens :** Impact resistant polycarbonate
- LED Module :** BriteCor™ AC Direct light engine
- Warranty :** 15 years

ELECTRICAL SPECIFICATIONS :

- Input Voltage :** 120, 277 VAC
- Power Input :** 20, 40 Watts



| Size | Wattage | Initial Lumens (lm) | Delivered Efficacy (lm/W) |
|------|---------|---------------------|---------------------------|
| 20" | 20 | 2200 | 110 |
| 40" | 40 | 4400 | 110 |



UL File Number: E212547

BRITCOR™ AC DIRECT TECHNOLOGY

ORDERING INFORMATION

BSE2 - **XXX** - **XX** - **V** - **CT80** - **C** - **C** / **Options**

- Fixture Size**
120 - 1"x20"
140 - 1"x40"
- Power**
20W, 40W
- Voltage**
1 = 120VAC
2 = 277VAC
- Color/CRI**
First 2 - color
30 = 3000K
35 = 3500K
40 = 4000K
50 = 5000K
57 = 5700K
Last 2 - CRI
80 = 80
- End-1**
J1= Jacketed cable w/pigtail
Q1F= Quick Connect female 12"
Q2F= Quick Connect female 12", right angle
Q3F= Quick Connect small female 3"
- End-2**
J1= Jacketed Cable w/pigtail
Q1M = Quick Connect male 12"
Q2M= Quick Connect male 12", right angle
Q3M= Quick Connect small male 3"
END= Solid end plate
- DIMMER:**
(BLANK) Standard Driver
SC SmartCor Dimmable Driver
Note: The SmartCor option is not available with diffuser equipped fixtures
- DIFFUSER:**
(BLANK) No Diffuser
D Diffuser
Note: Diffuser cannot be ordered on a dimmable fixture
- Accessories**
QCSK-3 Quick Connect, small kit - (cable+cover)
BSE2-EXT5 5' Extension cable for Q1 and Q2 options

For long end-fed configurations up to 170 feet, please contact sales@litesheet.com

EXAMPLE: BSE2-120-20-1-4080-J1-END/SC

*Results may vary. Product dimensions and specifications are subject to change without notice.