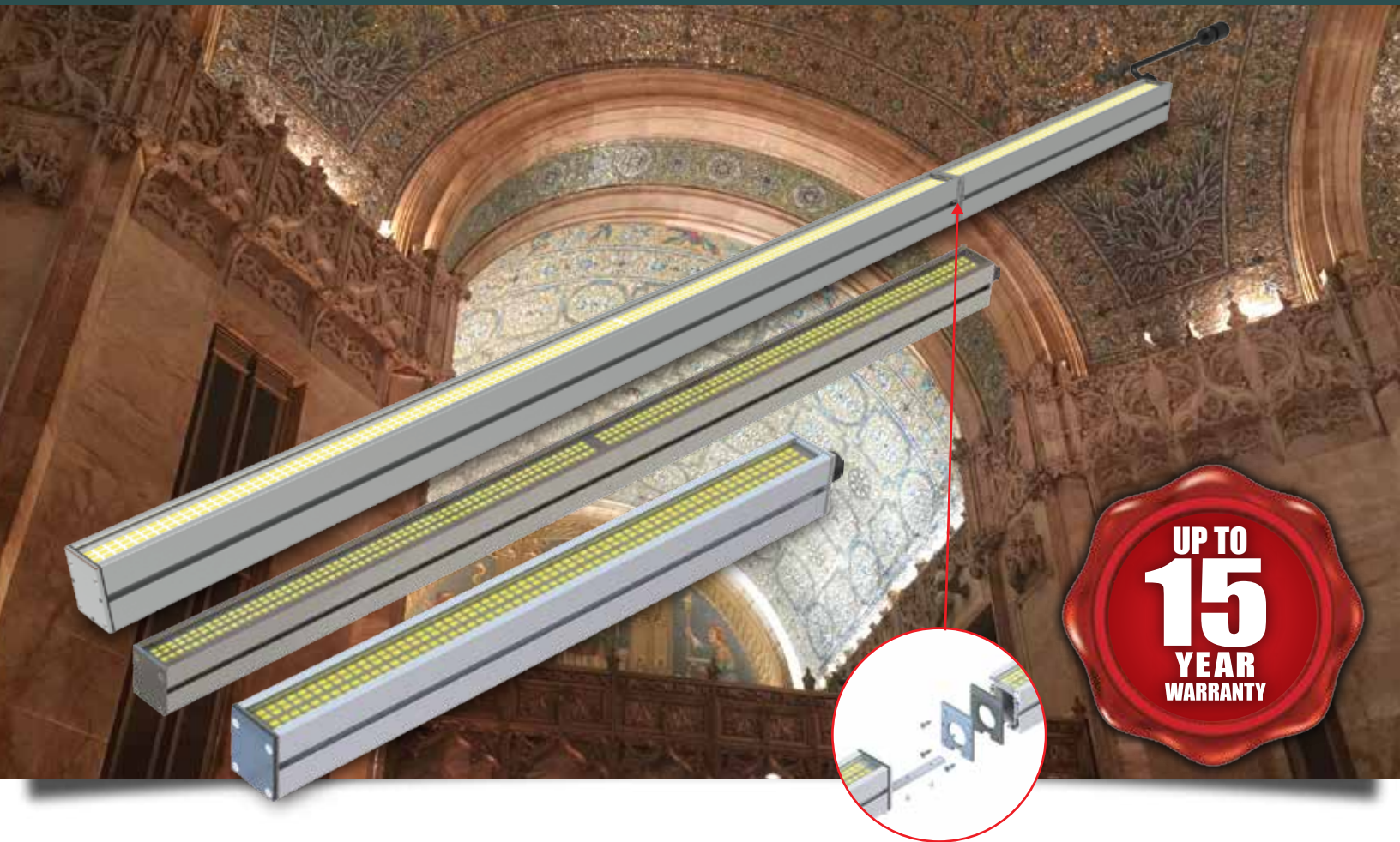


Wet Location Stik Series

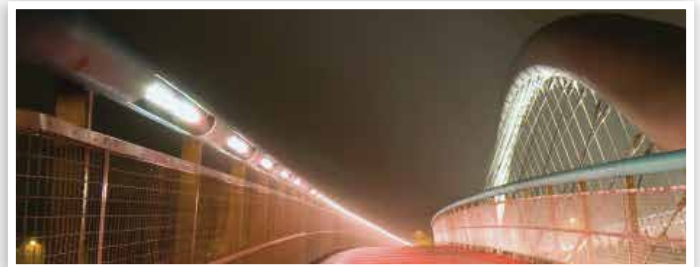
Modular Design – Up to 170 feet long per connection

BSE2



PRODUCT DESCRIPTION :

- ⊗ BriteCor Adaptive AC Direct – no DC power supply
- ⊗ 450,000 hours MTBF of continuous operation
- ⊗ Up to 131 lumens per Watt measured output
- ⊗ Easily mountable
- ⊗ Constant lifetime lumen output
- ⊗ Maintenance-free
- ⊗ Tested and approved to UL standards for retrofit, replacement or new construction
- ⊗ Tested and certified to operate in UL wet locations
- ⊗ Modular design for end-fed lights up to 170' @ 277VAC
- ⊗ Dimmable driver option available



Wet Location Stik Series

BSE2

THE BRITCOR™ LIGHT ENGINE TECHNOLOGY

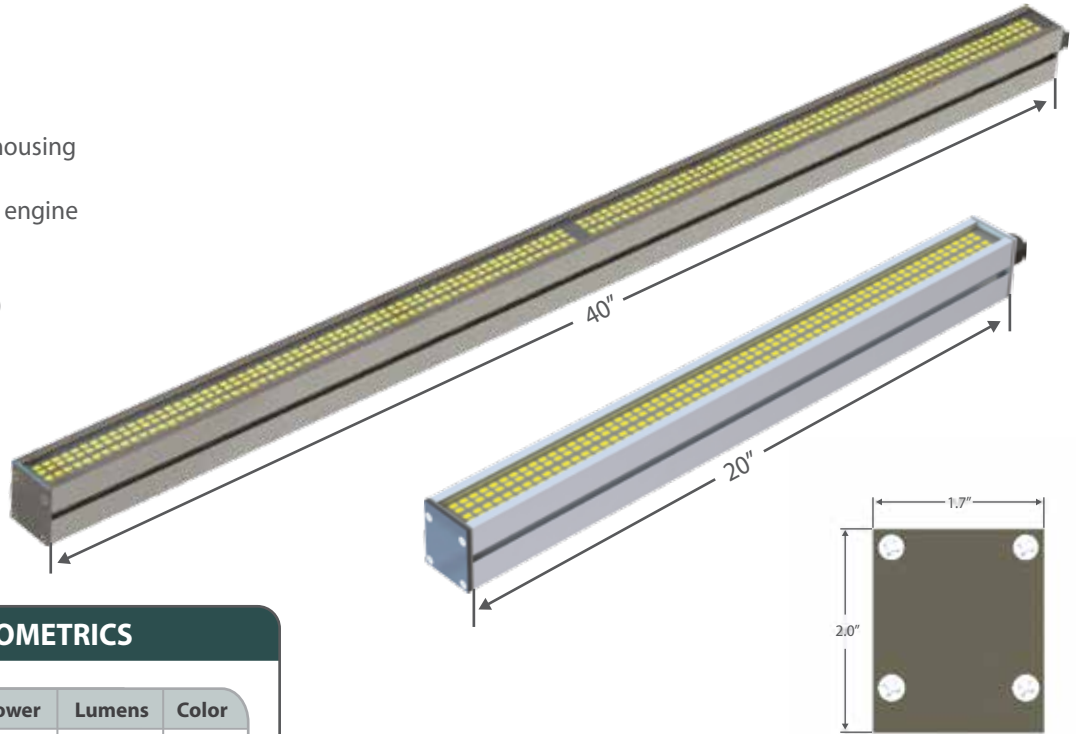
The BriteCor™ Light Engine is a patented Adaptive AC Direct LED Array Technology. Automatically adjusting the redundant LED mesh, BriteCor™ delivers a more efficient and reliable light without a DC power supply.

FEATURES :

- Fixture :** Durable aluminum extrusion housing
- Lens :** Impact resistant polycarbonate
- LED Module :** BriteCor™ AC Direct light engine
- Finish :** Aluminum, extruded
- Warranty :** 10 years/15 year option
- Color Rendering Index (CRI) :** Up to 90
- Operating Range :** -20F to 125F

ELECTRICAL SPECIFICATIONS :

- Input Voltage :** 120, 277 VAC
- Power Input :** 20, 40 Watts



DIFFERENCE IN PHOTOMETRICS

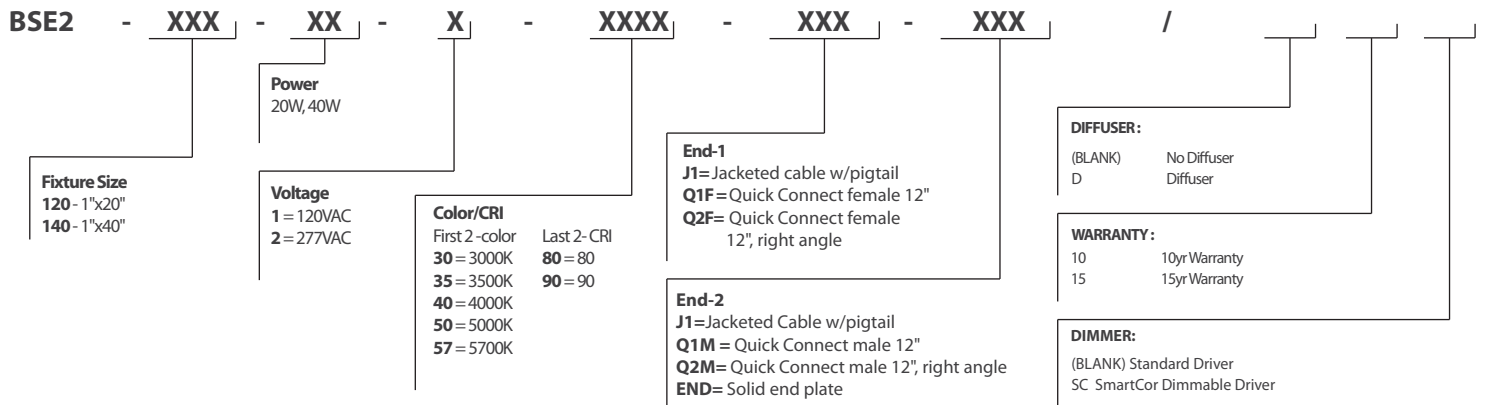
Model	Voltage	Power	Lumens	Color
20" BSE2-120-20-1-40	120	20	2200	4000K
20" BSE2-120-20-1-50	120	20	2600	5000K
20" BSE2-120-20-2-40	277	20	2200	4000K
40" BSE2-140-40-1-40	120	40	4400	4000K
40" BSE2-140-40-1-50	120	40	5200	5000K
40" BSE2-140-40-2-40	277	40	4400	4000K



UL File Number: E212547

BRITCOR™ AC DIRECT TECHNOLOGY

ORDERING INFORMATION



For longer lengths or help with configurations, please contact sales@litesheet.com

Example: BSE2-120-20-1-4080-J1-END/D 10 SC

*Results may vary. Product dimensions and specifications are subject to change without notice.

434 - 446 - 1460 | 1191 Venture Drive Suite A, Forest, VA 24551 | litesheet.com | info@litesheet.com

LITESHEET
BRILLIANCE THROUGH SIMPLICITY

REV 02172017