

# Damp Location Brik Series

Easy Installation – Mounts directly to electrical J-box

BBE2

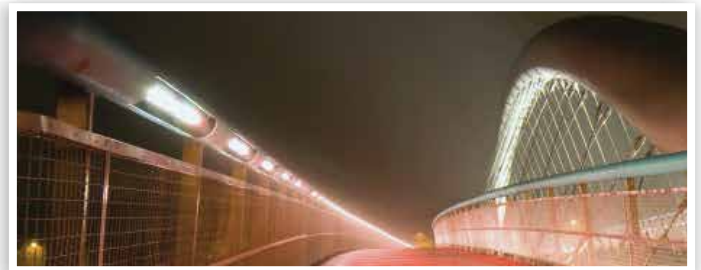
AC DIRECT LED  
NO POWER SUPPLY NEEDED



## PRODUCT DESCRIPTION :

- BriteCor Adaptive AC Direct – no DC power supply
- 450,000 hours MTBF of continuous operation
- Up to 141 lumens per Watt measured output
- Easily installed – Mounts directly to J-box\*
- Constant lifetime lumen output
- Maintenance-free
- Tested and certified to operate in UL damp locations
- Optional polycarbonate front lens available
- Dimmable driver option available

\*J-box not included



# Damp Location Brik Series

BBE2

## THE BRITECOR™ LIGHT ENGINE TECHNOLOGY

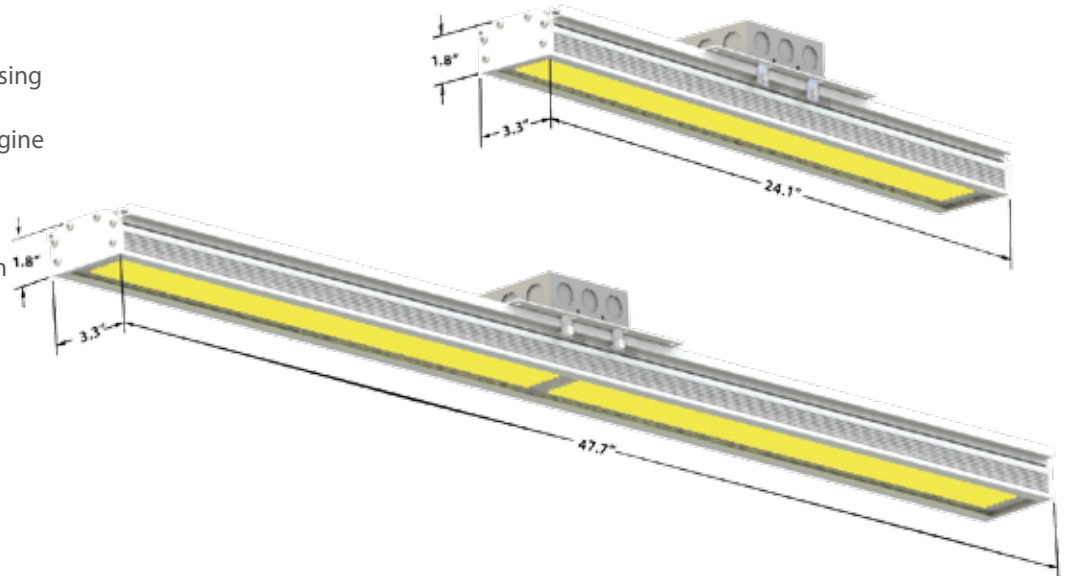
The BriteCor™ Light Engine is a patented Adaptive AC Direct LED Array Technology. Automatically adjusting the redundant LED mesh, BriteCor™ delivers a more efficient and reliable light without a DC power supply.

## FEATURES :

- Fixture :** Durable aluminum extrusion housing
- Lens :** Glass, polycarbonate option
- LED Module :** BriteCor™ AC Direct light engine
- Finish :** Anodized aluminum
- Warranty :** 10 years/15 year option
- Color Rendering Index (CRI) :** Up to 90
- Operating Range :** 10 years/15 year option

## ELECTRICAL SPECIFICATIONS :

- Input Voltage :** 120, 277 VAC
- Power Input :** 32, 64 Watts



## DIFFERENCE IN PHOTOMETRICS\*

Model	Voltage	Power	Lumens	Color
24" BBE2-424-32-1-40	120	32	4820	4000K
24" BBE2-424-32-2-50	277	32	4820	5000K
48" BBE2-448-64-1-40	120	64	9640	4000K
48" BBE2-448-64-2-40	277	64	9640	4000K

**CERTIFIED to UL1598  
CSA 22.2 No. 250.0-08**



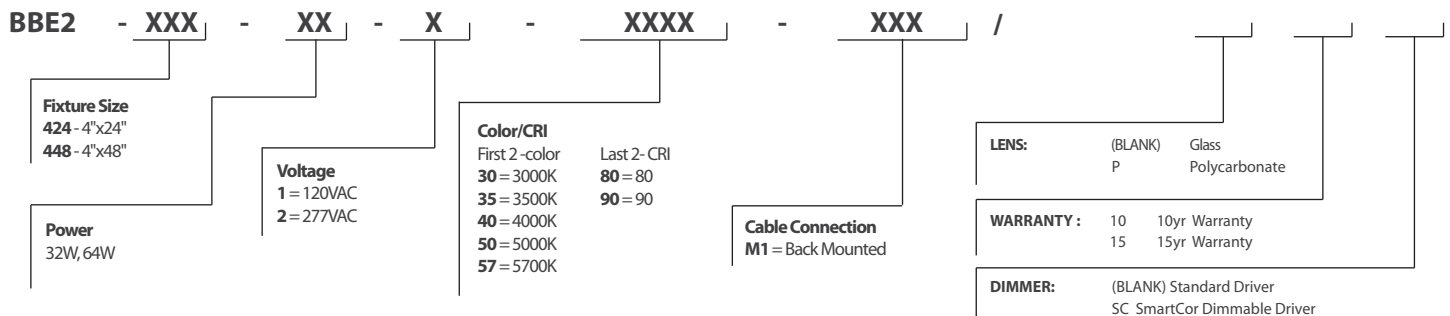
UL1598  
CSA 22.2 No. 250.0-08



UL File Number: E212547

**BRITECOR™ AC DIRECT TECHNOLOGY**

## ORDERING INFORMATION



For help with configurations, please contact [sales@litesheet.com](mailto:sales@litesheet.com)

BBE2-424-32-1-4080-M1/P 10 SC

\*Results may change or vary. Product dimensions and specifications are subject to change without notice.